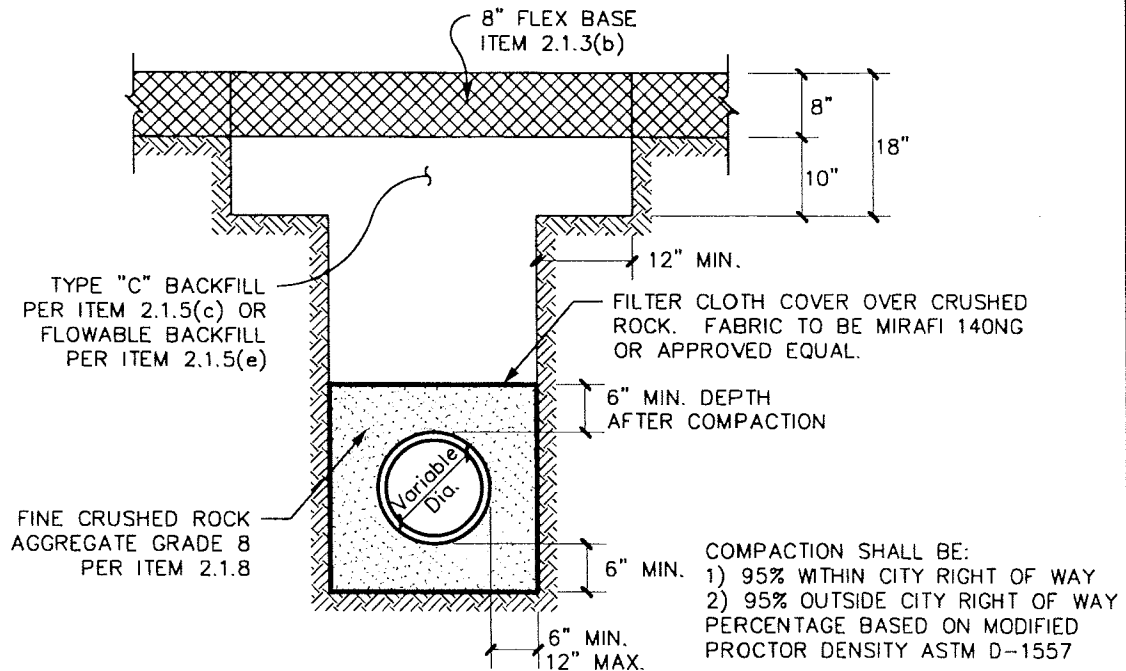


## UNPAVED AND FUTURE PAVED AREAS



### NOTES:

### EXISTING FLEXBASE SURFACE

1. AT THE END OF EACH WORK DAY ALL SPOILS SHALL BE REMOVED FROM THE CITY AND TxDOT ROW UNLESS PRIOR WRITTEN PERMISSION IS OBTAINED FROM THE OWNER TO STORE SPOILS IN DESIGNATED SPOIL STORAGE AREAS THAT DO NOT OBSTRUCT AUTOMOBILE OR PEDESTRIAN TRAFFIC.
2. ALL BACKFILL SHALL BE PER SPEC ITEM 6.2 AND SHALL BE COMPACTED PER SPEC ITEM 6.2.9(b). ROCKS GREATER THAN 4" IN DIAMETER SHALL BE REMOVED FROM ANY NATIVE MATERIAL USED AS BACKFILL.
3. ALL PAVEMENT SHALL BE REMOVED ALONG NEAT SAW-CUT LINES PER SPEC ITEM 8.8.
4. COATED TRACER WIRE SHALL BE INSTALLED IN THE EMBEDMENT MATERIAL ABOVE ALL PVC PIPE.
5. A MAXIMUM OF 300 FT OF OPEN TRENCH WILL BE ALLOWED AT ANY TIME, UNLESS APPROVED BY THE CITY ENGINEER.
6. THE CONTRACTOR SHALL COMPLY WITH OSHA REGULATIONS AND STATE OF TEXAS LAWS CONCERNING EXCAVATION, TRENCHING AND SHORING.
7. IN SANDY SOILS THE CRUSHED ROCK EMBEDMENT SHALL BE WRAPPED IN A FILTER FABRIC.



## SEWER SYSTEM CONSTRUCTION DETAILS STANDARD SANITARY SEWER EMBEDMENT AND BACKFILL

REVISION DATE:  
APRIL 14, 2000

SHEET: S-1A

